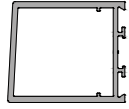


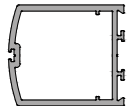

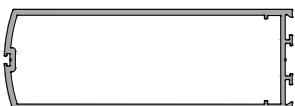
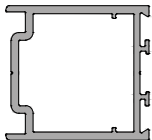
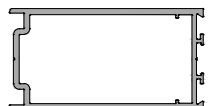
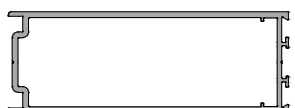
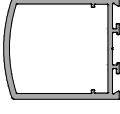
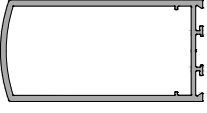

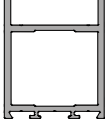
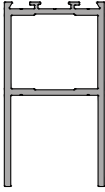
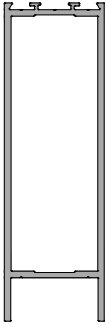
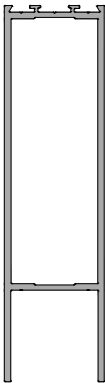
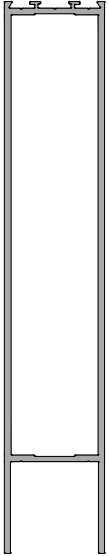

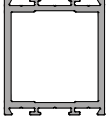


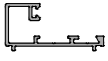

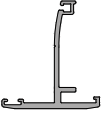
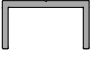
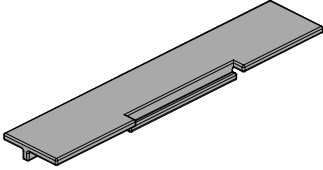
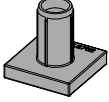
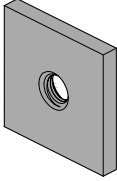
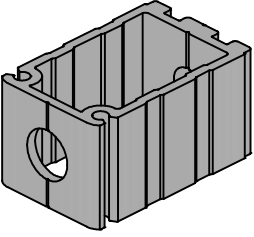
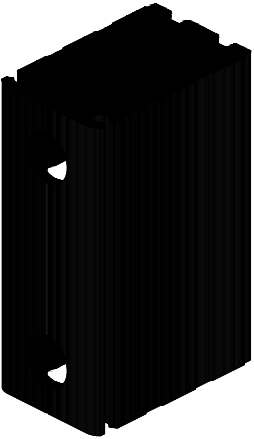









Part NO.	Code	Color	Detail	Description
AYPC.SF.3101	125014808	A00-D6		Beveled hinge stile 2"
AYPC.SF.3102		A00-D6		Beveled hinge stile 3-1/2"
AYPC.SF.3103		A00-D6		Beveled hinge stile 5"
AYPC.SF.3104		A00-D6		Center pivot stile 2"
AYPC.SF.3105		A00-D6		Center pivot stile 3-1/2"
AYPC.SF.3106		A00-D6		Center pivot stile 5"
AYPC.SF.3107	125015808	A00-D6		Active meeting stile 2"
AYPC.SF.3108		A00-D6		Active meeting stile 3-1/2"
AYPC.SF.3109		A00-D6		Active meeting stile 5"

Part NO.	Code	Color	Detail	Description
AYPC.SF.3110	125016808	A00-D6		Inactive stile 2"
AYPC.SF.3111		A00-D6		Inactive stile 3-1/2"
AYPC.SF.3112		A00-D6		Inactive stile 5"
AYPC.SF.3201	125017808	A00-D6		Top rail 2-1/8"
AYPC.SF.3202	125018808	A00-D6		Bottom/top rail 3-3/16"
AYPC.SF.3203		A00-D6		Top rail 5-1/2"
AYPC.SF.3204		A00-D6		Bottom/top rail 6-1/2"

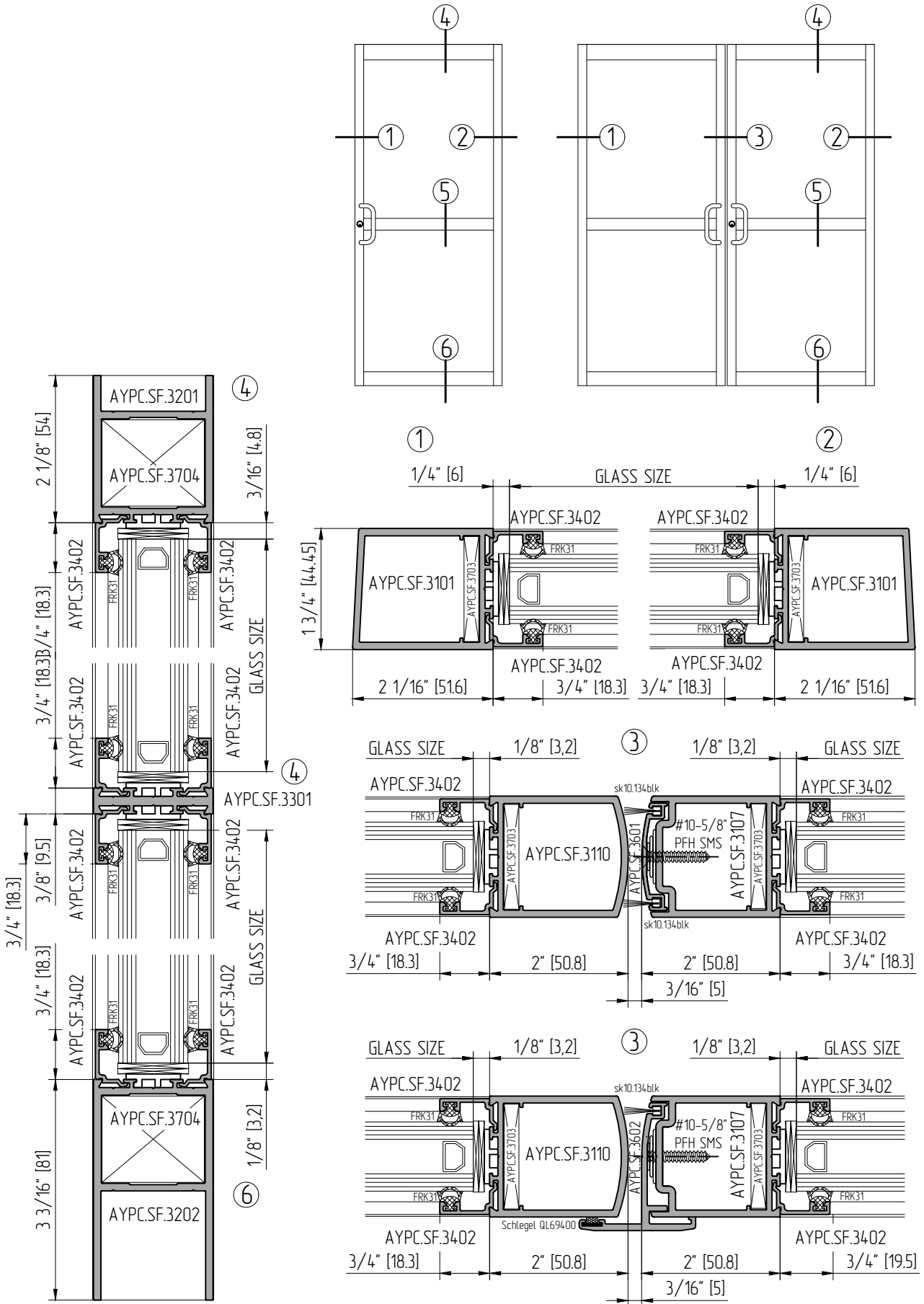
Part NO.	Code	Color	Detail	Description
AYPC.SF.3205				Optional bottom rail 9-1/2"
AYPC.SF.3301				Middle rail 3/8"
AYPC.SF.3302				Middle rail 2"
AYPC.SF.3401	125019808	A00-D6		Door glass stop for 1/4" single glass
AYPC.SF.3402	-	A00-D6		Door glass stop for 1" insulated glass unit
AYPC.SF.3403E	12502800 125028808	00 A00-D6		Anti-burglar Glass Stop Door 1/4" Glass
AYPC.SF.3601	125021808	A00-D6		Adjustable Astragal

Part NO.	Code	Color	Detail	Description
AYPC.SF.3602				Overlapping astragal plate
AYPC.SF.3603				Channel spacer for concealed door closer slide channel installation (matting with AYPC.SF.3202, AYPC.SF.3204, AYPC.SF.3205)

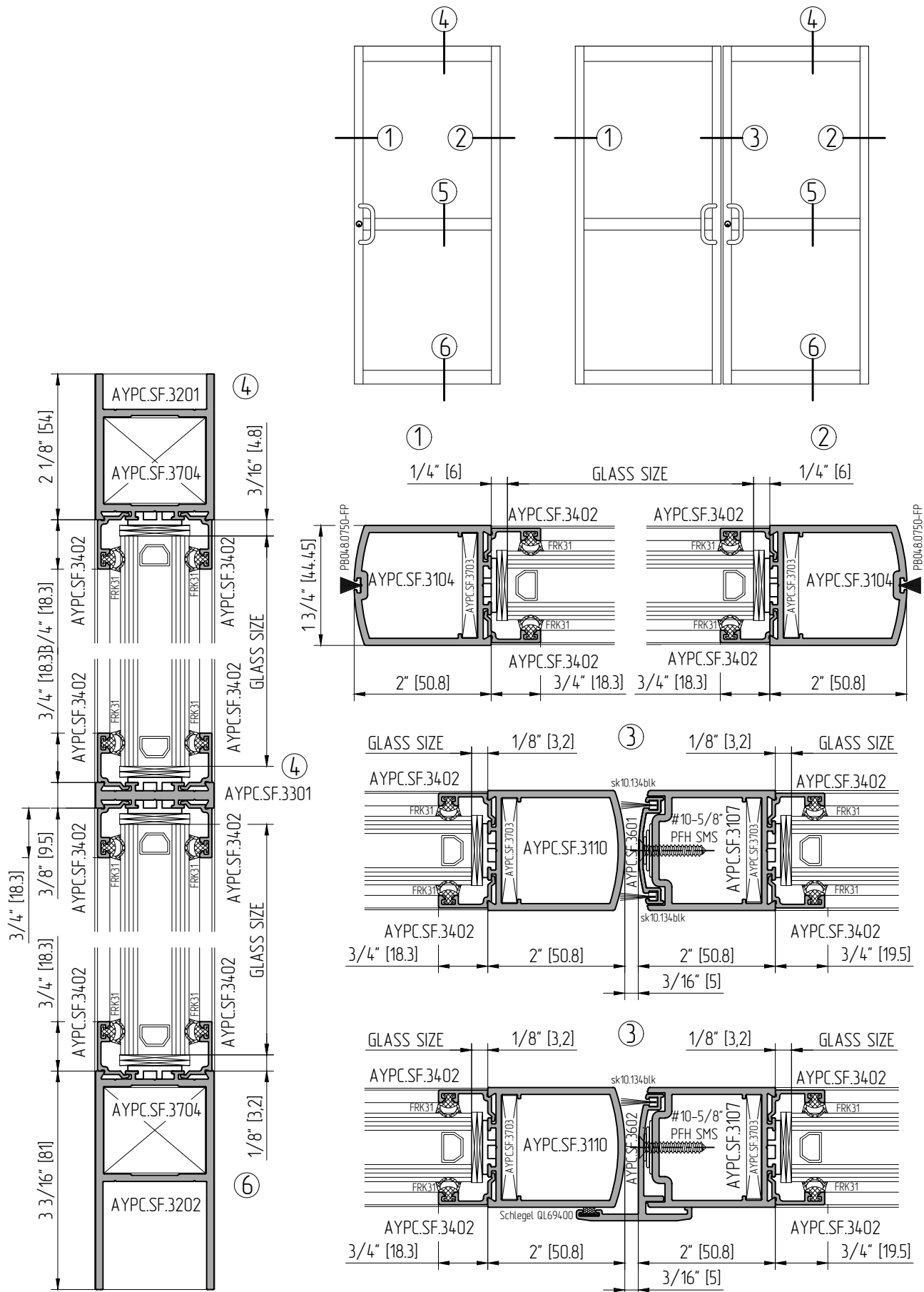
Part NO.	Code	Detail	Description	PKG. QTY.
AYPC.SF.3701	12550100		Setting/Edge Block	100
AYPC.SF.3702	12550200		Adjustable Setting Block	50
AYPC.SF.3703	12550300		Embedded block	60
AYPC.SF.3704	12550400		Shear Block	64
AYPC.SF.3704-01			Shear Block	
AYPC.SF.3704-02			Shear Block	
AYPC.SF.3704-03			Shear Block	

Part NO.	Code	Detail	Description	PKG. QTY.
ST15690	12550500		Cone spring	50
FRK07	10210600		Rabbit ledge gasket (EPDM)	656' [200 m]
FRK29-01	10415900		EPDM rubber gasket	1312' [400 m]
FRK31	10413500		Glass stop gasket (Co-extr. PVC)	656' [200 m]
FRK38	10415500		EPDM rubber gasket	1312' [400 m]
sk10.134.blk	10413800		Astragal weather strip	656' [200 m]
Schlegel QL69400			Astragal weather strip	

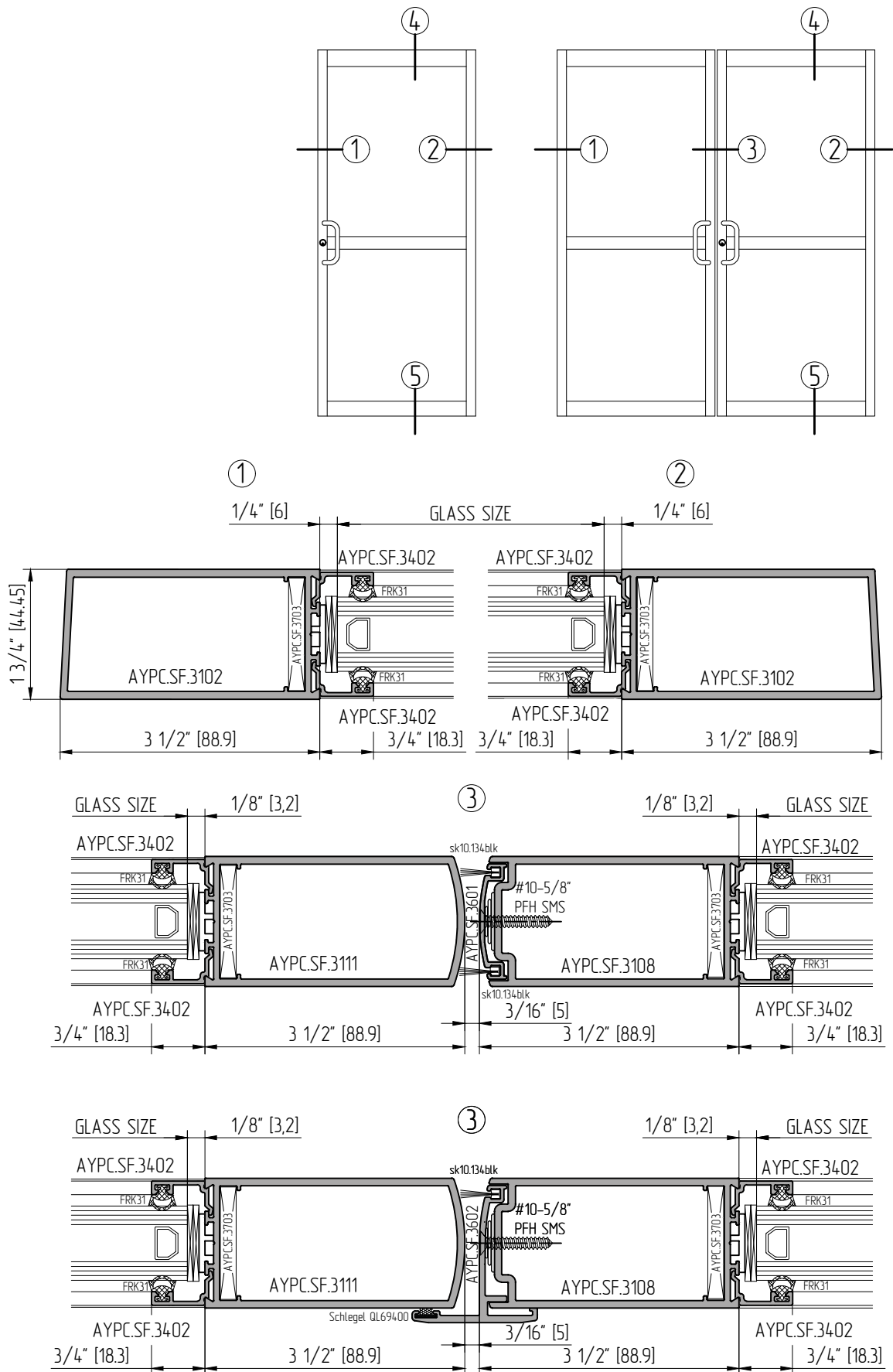
DOOR LEAF SECTIONS (1/4" GLASS)



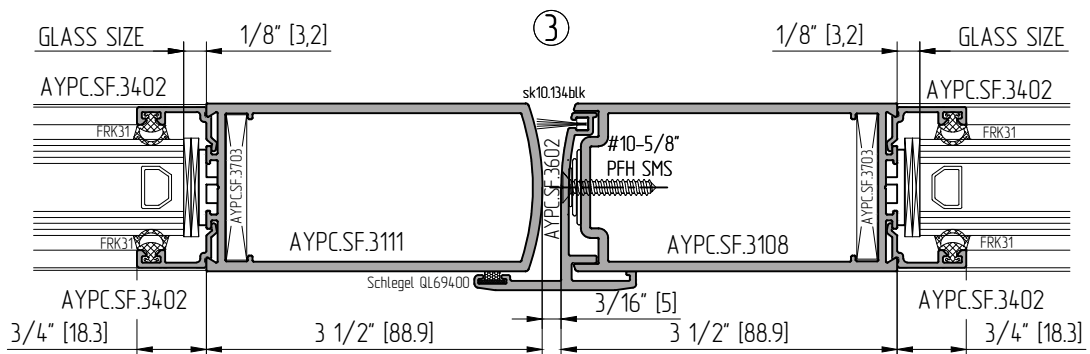
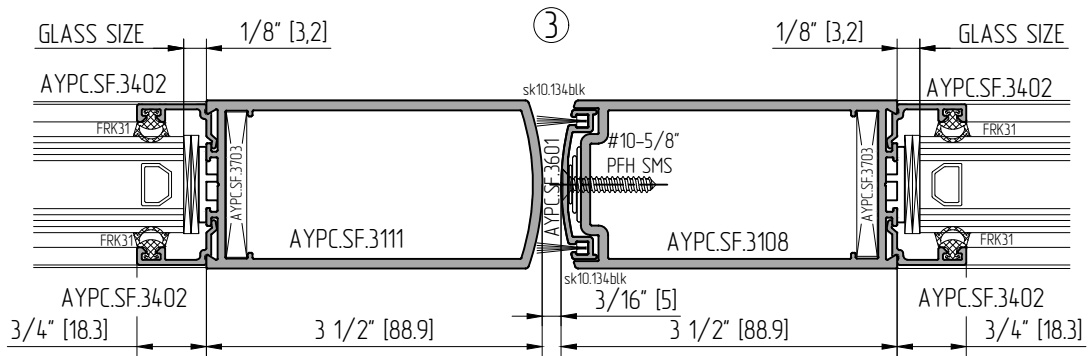
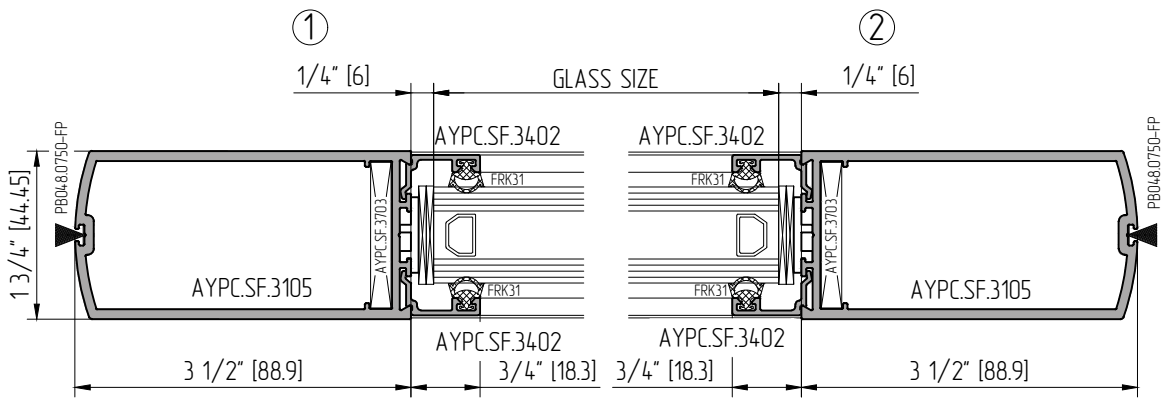
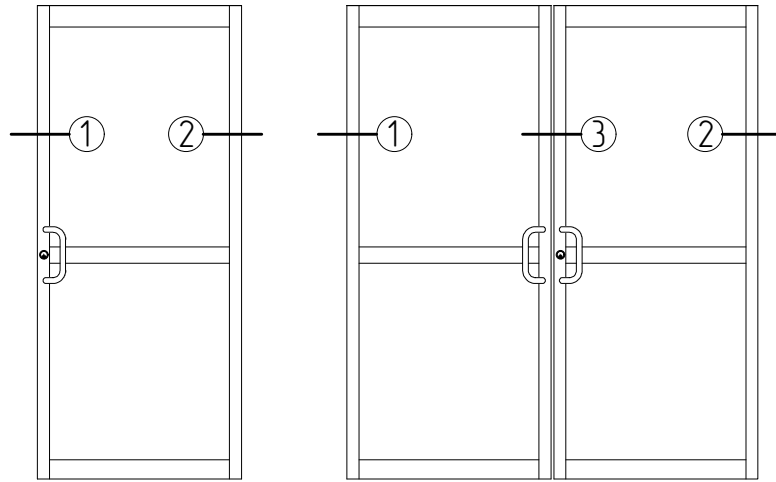
DOOR LEAF SECTIONS (THE SECURED GLASS STOPS) (1/4" GLASS)



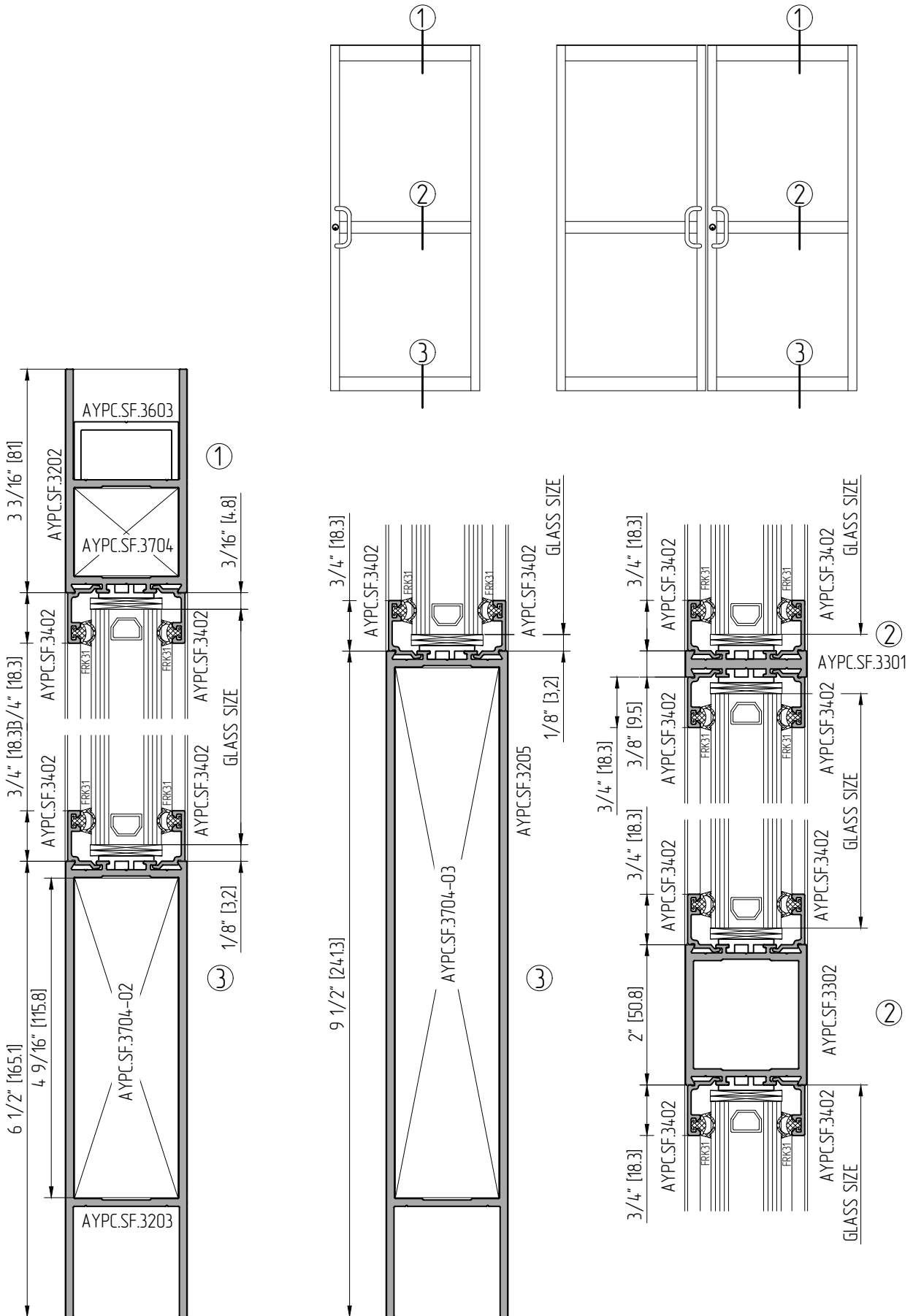
DOOR LEAF SECTIONS (1/4" GLASS)



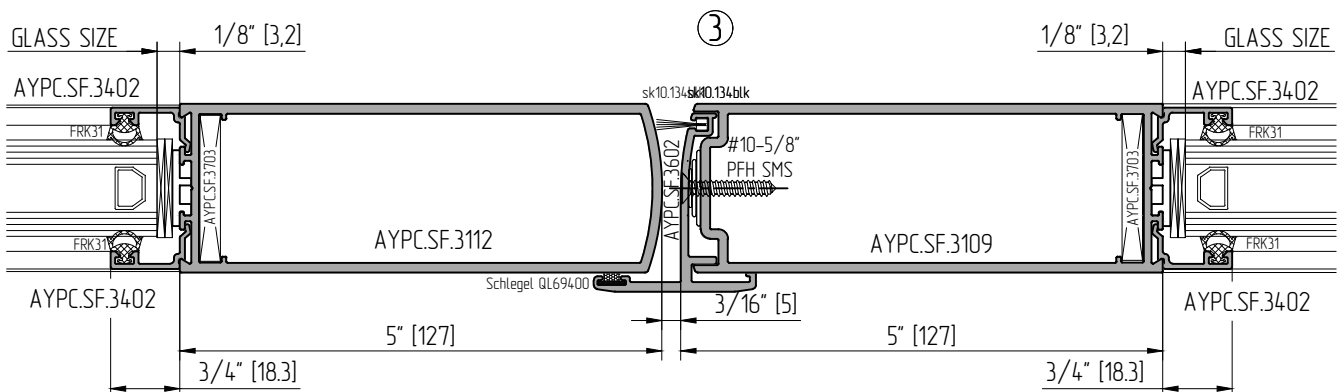
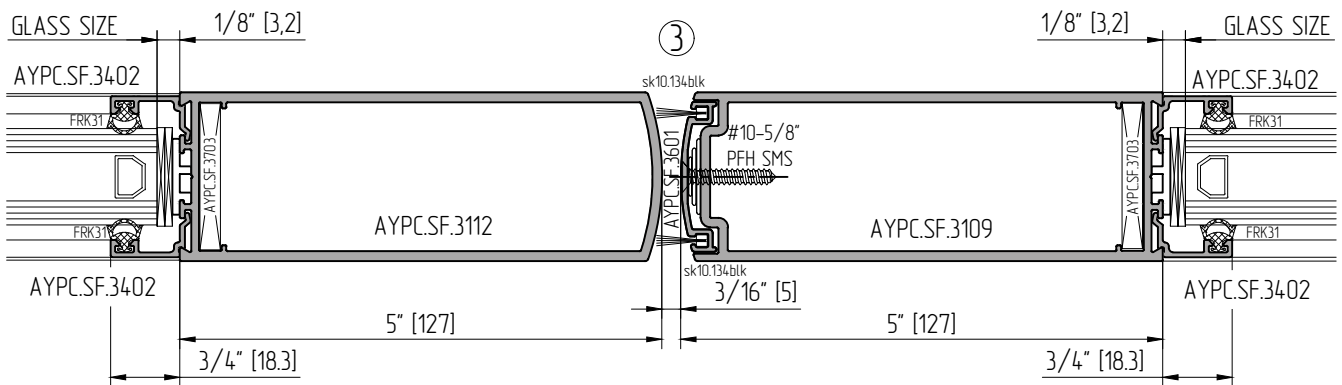
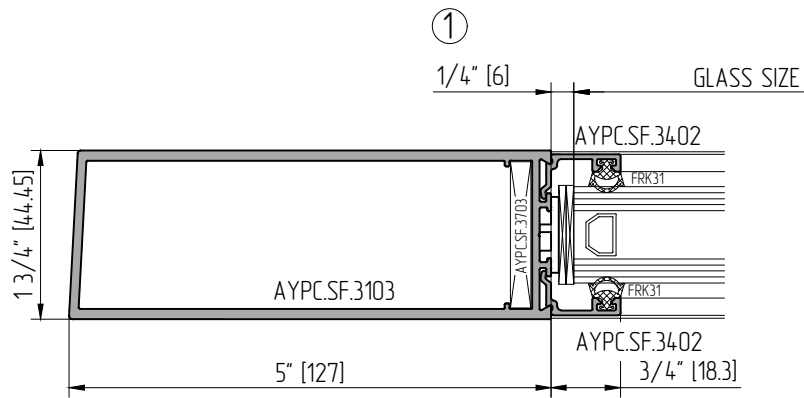
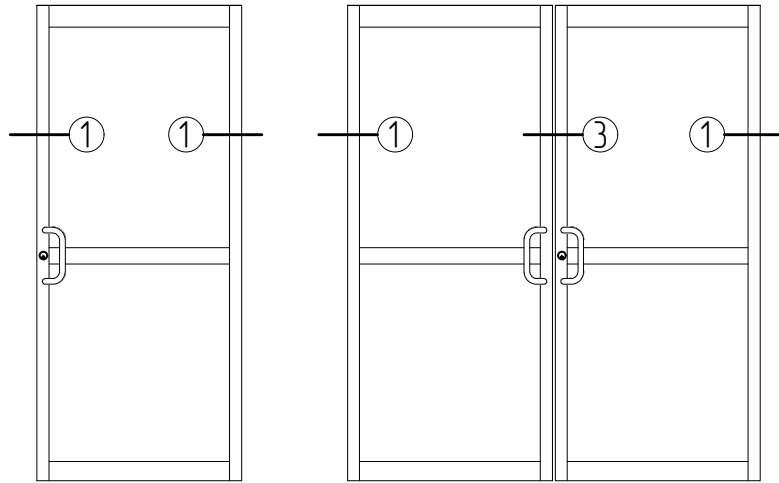
DOOR LEAF SECTIONS (THE SECURED GLASS STOPS) (1/4" GLASS)



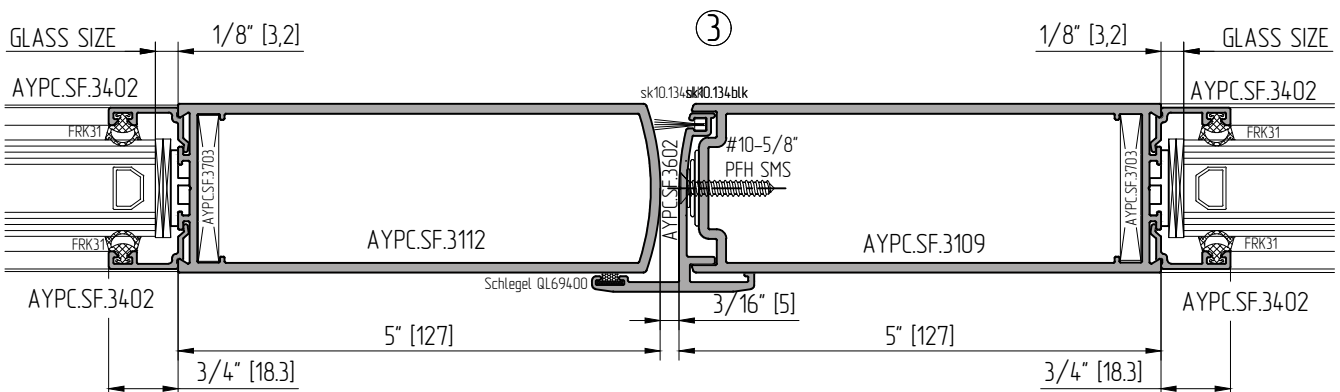
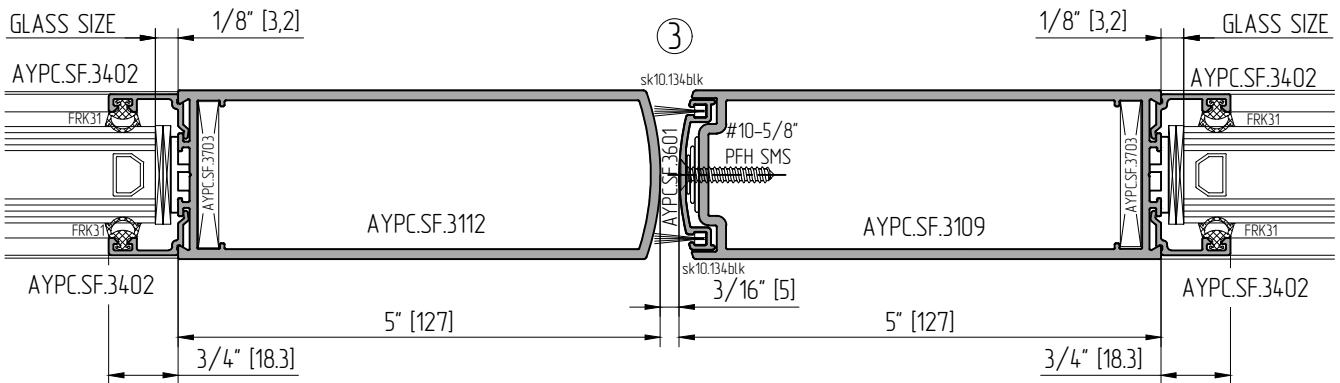
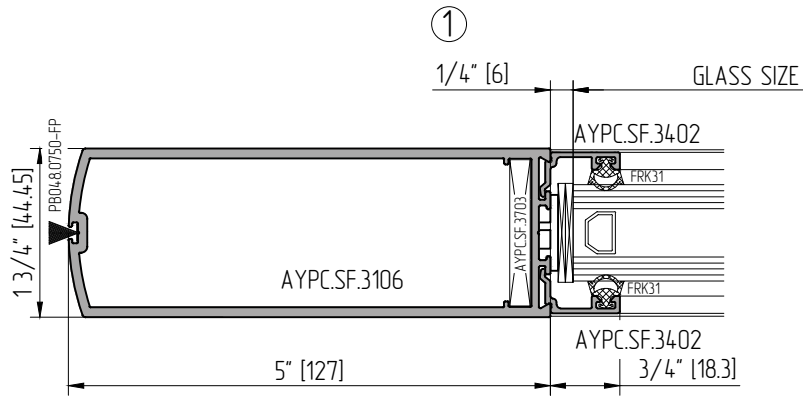
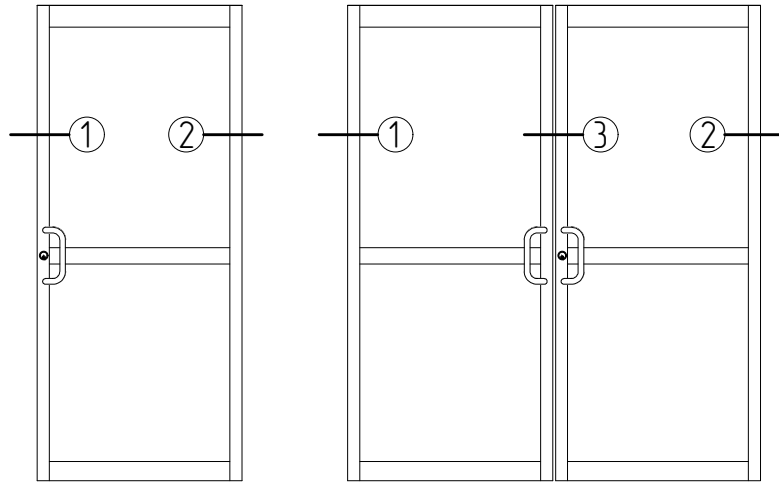
DOOR LEAF SECTIONS (THE SECURED GLASS STOPS) (1/4" GLASS)



DOOR LEAF SECTIONS (1/4" GLASS)



DOOR LEAF SECTIONS (THE SECURED GLASS STOPS) (1/4" GLASS)



DOOR LEAF SECTIONS (THE SECURED GLASS STOPS) (1/4" GLASS)

